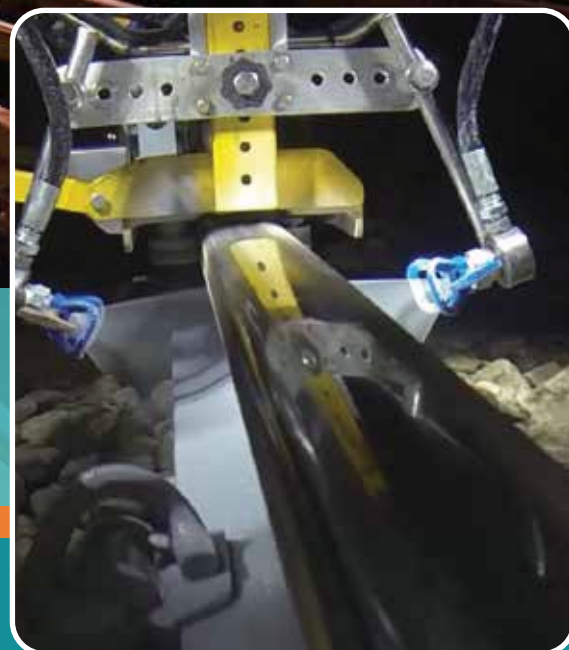




## SILENT I RAIL

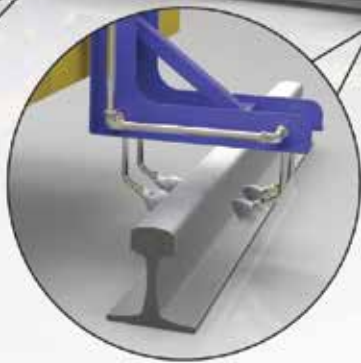
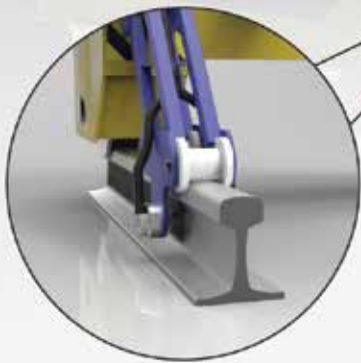
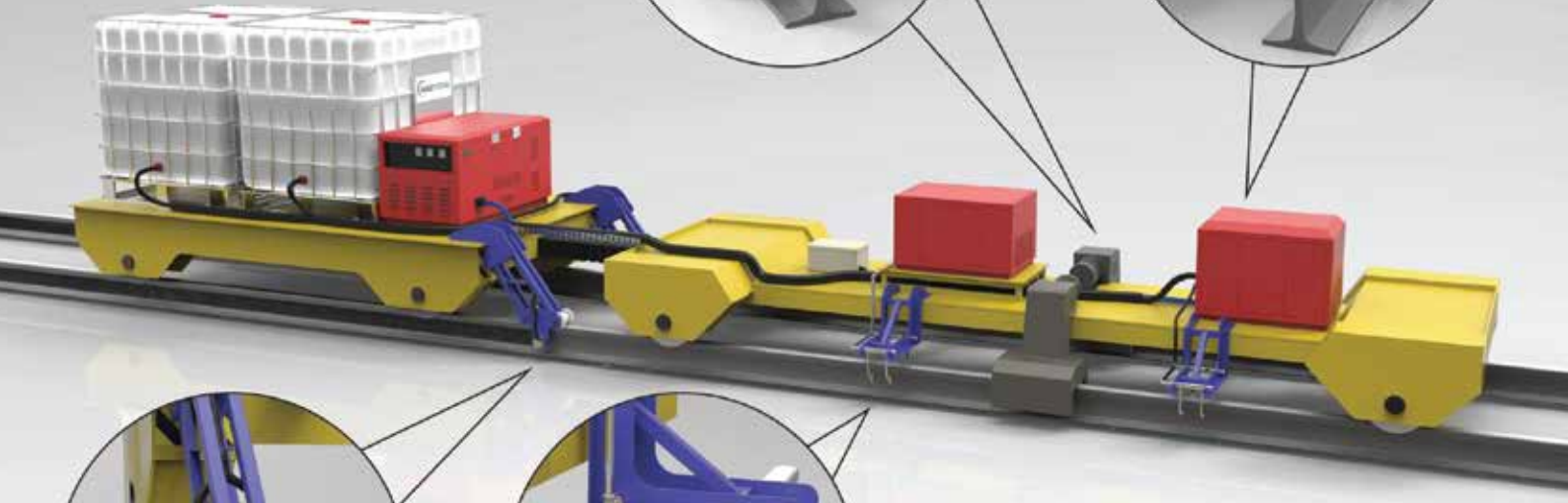
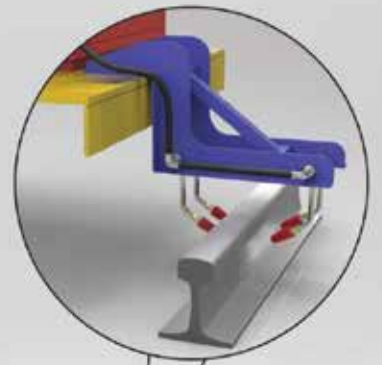
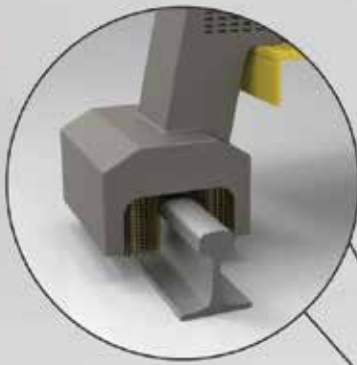


SilentRail® have developed a revolutionary rail coating that reduces rail noise & protects from damage.

Unwanted rail noise causes damage to both the ear, the surrounding fixture and fittings. SilentRail® engineered rail coating, prevents the rail from vibrating, which dramatically reduces the noise. The system also protects the rail from damage & reflects heat which prevents the rail from buckling.

### Key Benefits:

- Noise Reduction of up to 9dba.
- Quick & efficient install onsite.
- Bespoke design which allows the coating to be applied to any existing rail system.
- Quick & efficient install onsite with minimal setup.
- Life span of up to 30 years.
- Option for heat repelling pigment which prevents to the rail from bucking and welded joints from breaking.
- Dampens vibration reducing noise and damage.



# SILENT I RAIL

SilentRail® is a dampening compound that is directionally sprayed onto the web of the rail by means of a patented system that accurately places the material where it is most effective. The results have shown a reduction of up to 9dba.

SilentRails® unique system, dampens the vibration and thus prevents the causes that are so damaging. SilentRail® is quick and fast to apply having first removed the dirt by means of chemical reaction. This then leaves the perfect surface for the solution to adhere to.



Working at night in suitable conditions, hundreds of metres can be cleaned and coated.

The treatment is permanent and won't wear with age.

Further high tech thermal coatings are also available, to prevent buckling and welded joints from breaking.



E: [info@grammbarriers.com](mailto:info@grammbarriers.com) T: 01323 872243